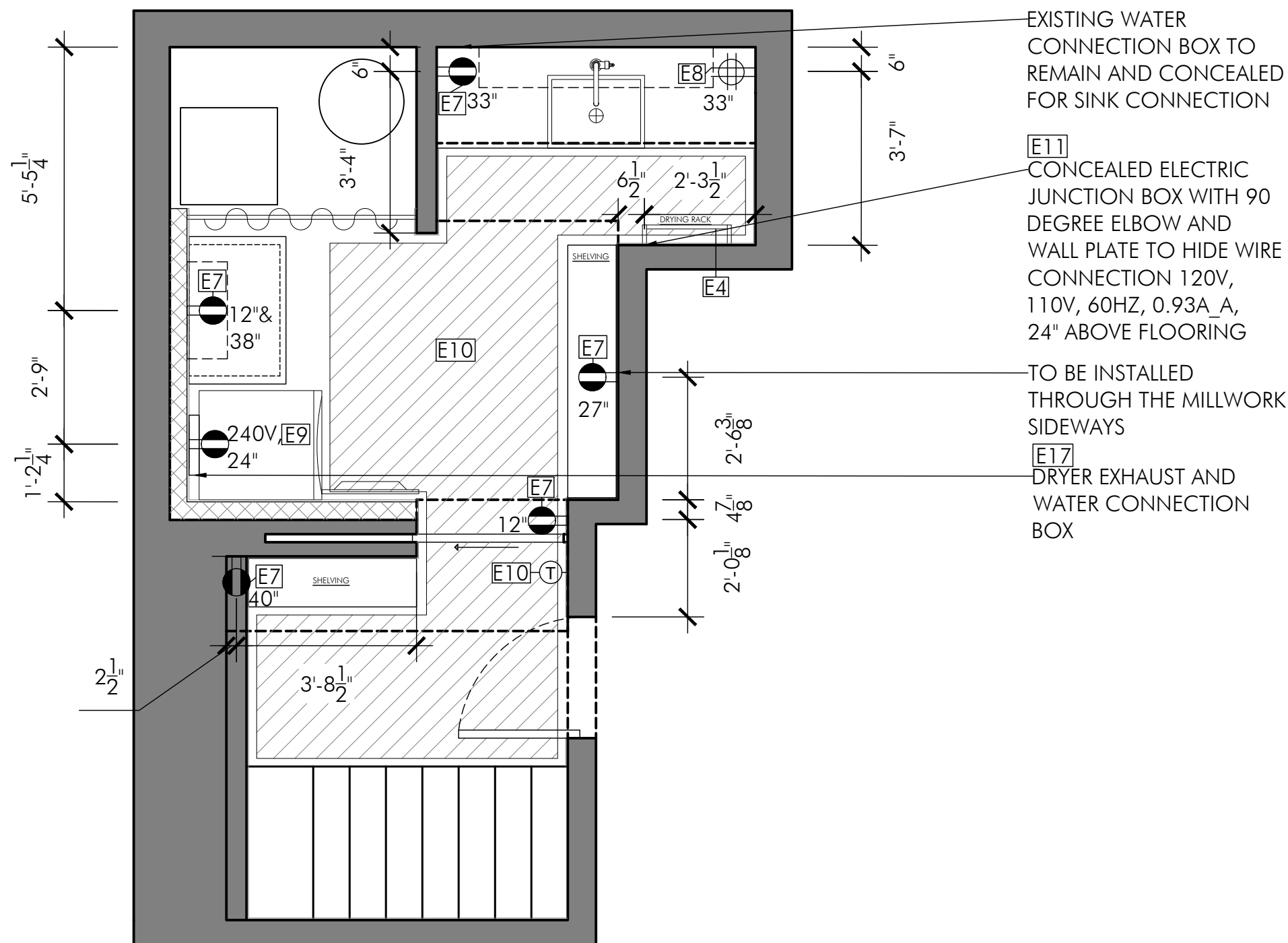


Stephanie Raphael

Kitchener, ON
 (514) 239 - 2697
 stephii.raaphael@gmail.com
 stephraphael.com

Additional Notes:



EXISTING WATER CONNECTION BOX TO REMAIN AND CONCEALED FOR SINK CONNECTION

E11 CONCEALED ELECTRIC JUNCTION BOX WITH 90 DEGREE ELBOW AND WALL PLATE TO HIDE WIRE CONNECTION 120V, 110V, 60HZ, 0.93A_A, 24" ABOVE FLOORING

TO BE INSTALLED THROUGH THE MILLWORK SIDWAYS

E17 DRYER EXHAUST AND WATER CONNECTION BOX

POWER PLAN LEGEND	
SYMBOL	DESCRIPTION
	120V GFCI DUPLEX RECEPTACLE WALL MOUNTED AT SPECIFIED HEIGHT - SPLIT CIRCUIT
	120V GFCI QUADRUPLEX RECEPTACLE
	DITRA FLOOR HEATING CABLES (membrane to be installed under the entire floor for leveling purposes, place the cables in specified area)
	DITRA FLOOR HEATING THERMOSTAT AT 48"
	WALL HARDWIRE ELECTRICAL TOWEL WARMER AND DRYING RACK

EQUIPMENT SCHEDULE	
CODE	DESCRIPTION
E4	ANCONA COMFORT 7 WALL HARDWIRE ELECTRIC TOWEL WARMER AND DRYING RACK
E7	GFCI DUPLEX OUTLET
E8	GFCI QUADRUPLEX OUTLET
E9	240V OUTLET
E10	SCHLUTER DITRA HEATED FLOORING WITH THERMOSTAT
E11	ELECTRIC JUNCTION BOX
E17	WATER CONNECTION BOX

Stage: Concept Design
 Client: Heather

Project: Laundry Room
 Waterloo

Drawing: Electrical Plan

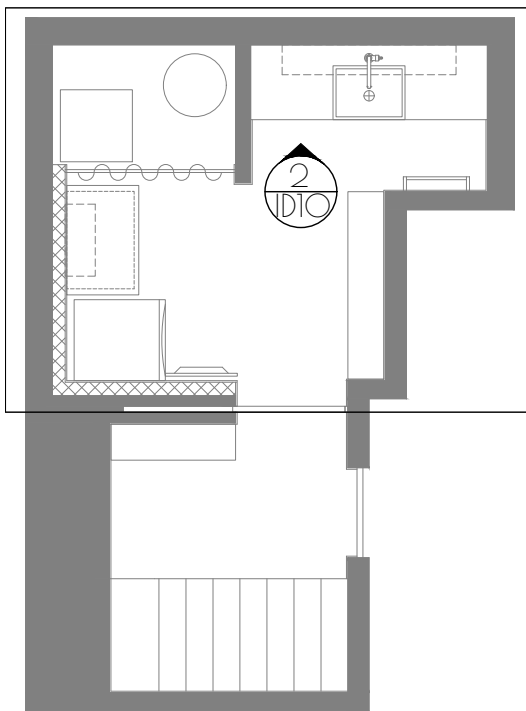
Revision: 0

Drawn By: Stephanie Raphael

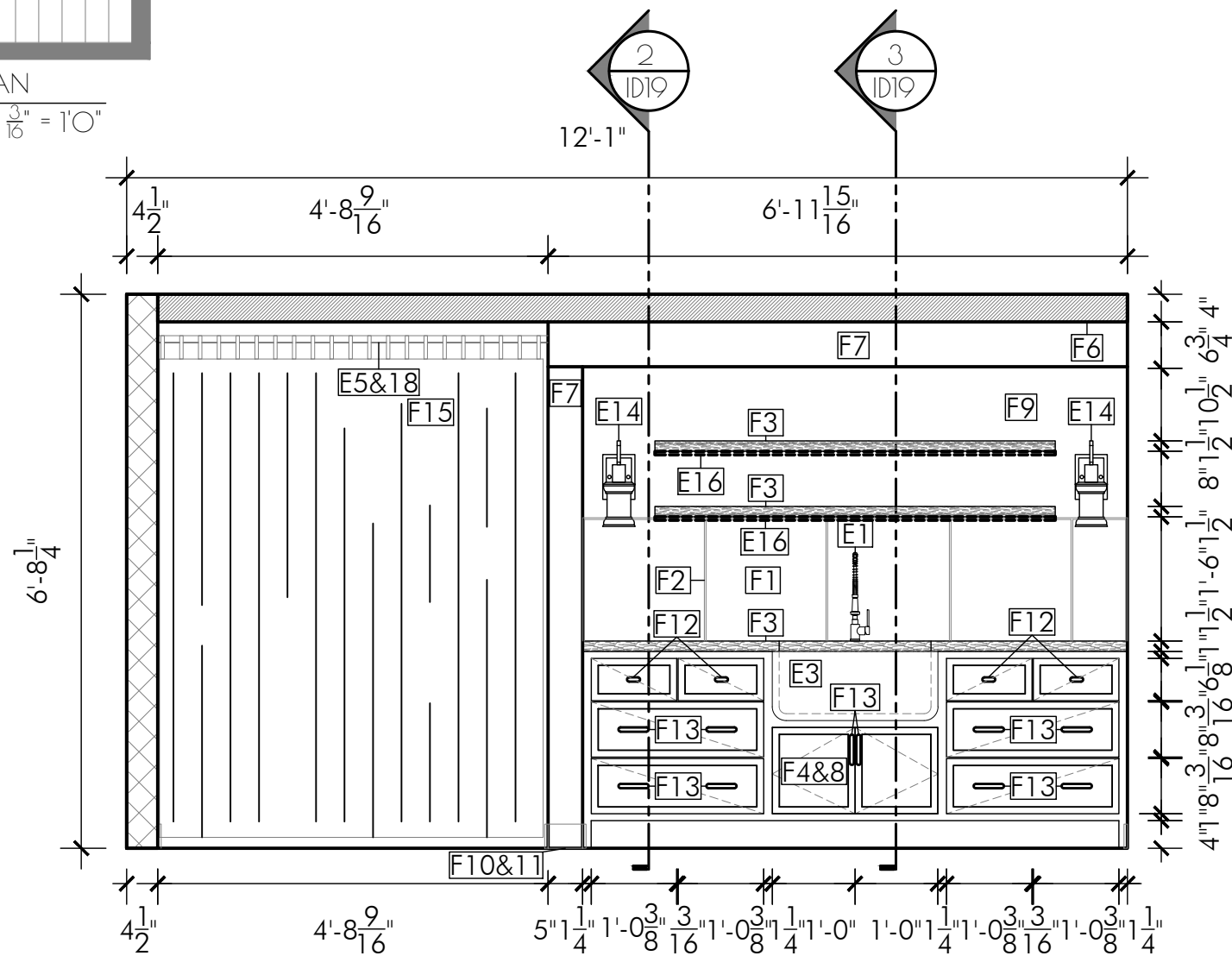
Date: May 15, 2023

Scale: 3/8" = 1'





1 KEY PLAN
ID10 SCALE: $\frac{3}{16}'' = 1'0''$



2 EAST ELEVATION
ID10 SCALE: $\frac{1}{2}'' = 1'0''$



FINISHES SCHEDULE

CODE	MATERIAL	COLOUR	FINISH
F1	CERAMIC	NERO	LOW SHEEN GLAZE
F2	POLYBLEND GROUT	CHARCOAL	SANDED
F3	LIVE EDGE WOOD	ACACIA	POLISHED
F4	PLYWOOD	RED OAK	STAINED
F6	PVC DROP IN CEILING TILES	BLACK	POLISHED
F7	REGAL SELECT WATERBORNE PAINT	OCTOBER MIST	EGGSGHELL
F8	REGAL SELECT WATERBORNE PAINT	ENCHANTED FOREST (700)	EGGSHELL
F9	VINYL PEEL AND STICK WALLPAPER	KRISHIKA	MATTE
F10	POPLAR BASEBOARDS	WHITE	PRIMED
F11	REGAL SELECT WATERBORNE PAINT	ONYX (2133-10)	EGGSHELL
F12	CABINET PULL - SMALL	N/A	BRASS
F13	CABINET PULL - MEDIUM	N/A	BRASS
F15	100% POLYESTER	BLACK FLORAL	N/A

EQUIPMENT SCHEDULE

CODE	DESCRIPTION
E1	SMART TOUCHLESS FAUCET
E3	FARMHOUSE SINK
E5	UMBRA CAPPА CURTAIN ROD AND MOUNT
E14	WALL SCNCE
E16	LED LIGHT STRIPS
E18	CURTAIN RINGS

Stephanie
Raphael

Kitchener, ON
(514) 239 - 2697
stephii.raphael@gmail.com
stephraphael.com

Additional Notes:

Stage: Concept Design

Client: Heather

Project: Laundry Room
Waterloo

Drawing: East Elevation

Revision: 0

Drawn By: Stephanie Raphael

Date: May 15, 2023

Scale: AS NOTED



Additional Notes:

Stage: Concept Design
 Client: Heather

Project: Laundry Room
 Waterloo

Drawing: South Elevation

Revision: 0

Drawn By: Stephanie Raphael

Date: May 15, 2023

Scale: AS NOTED

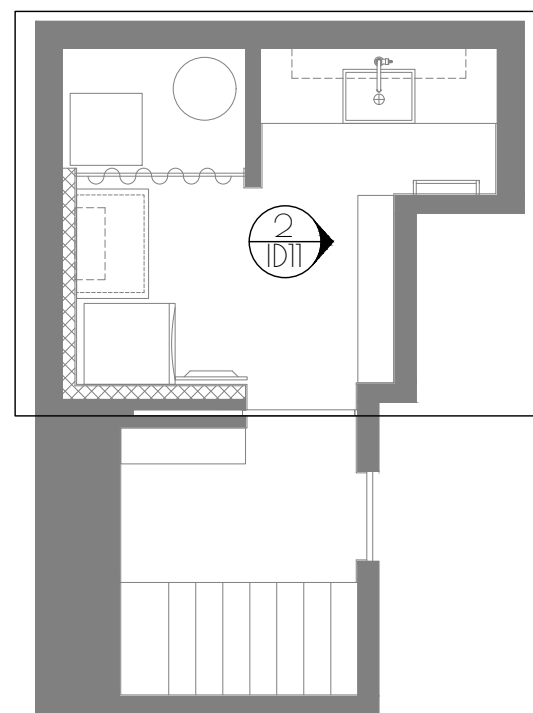
Sheet:

FINISHES SCHEDULE

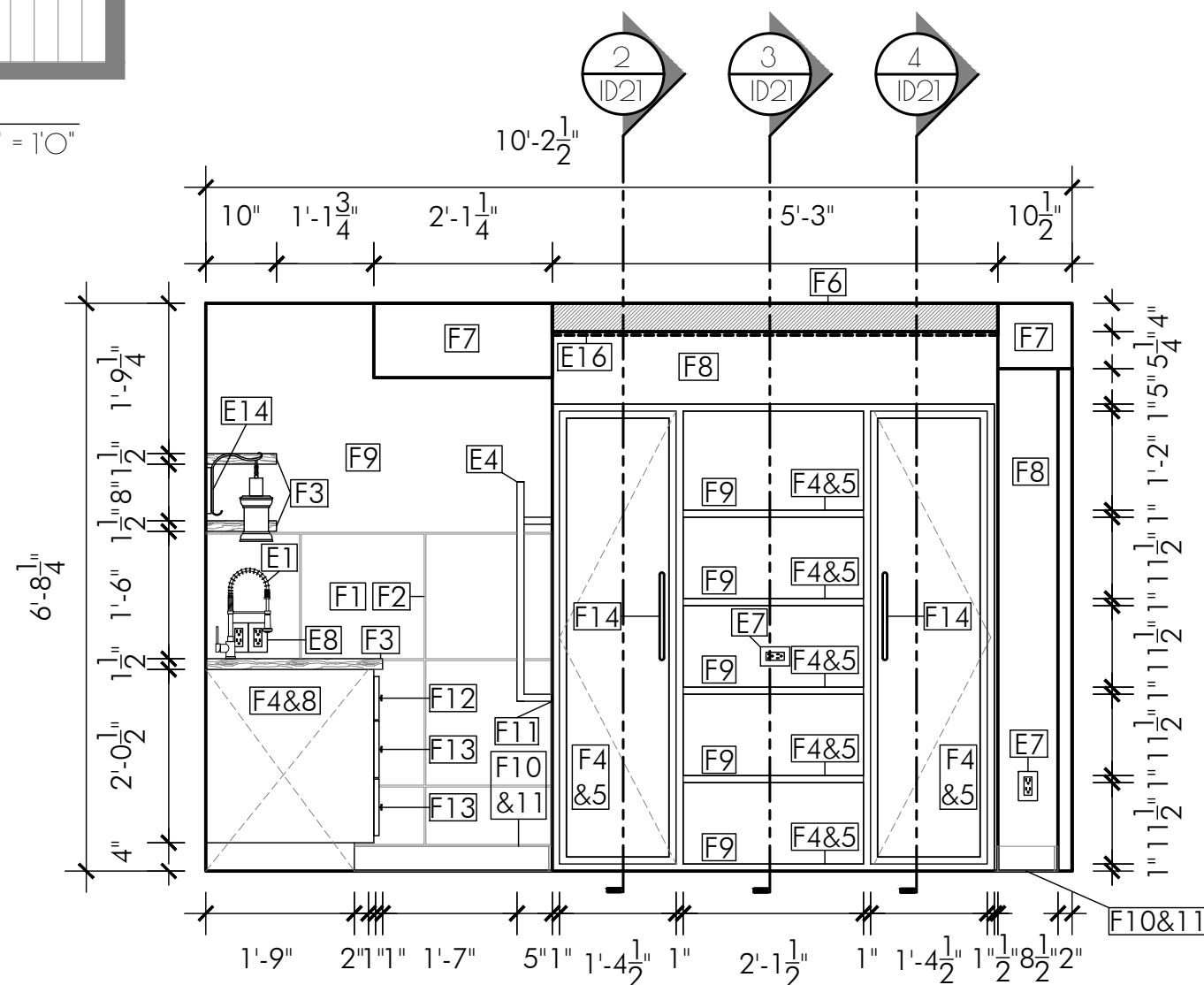
CODE	MATERIAL	COLOUR	FINISH
F1	CERAMIC	NERO	LOW SHEEN GLAZE
F2	POLYBLEND GROUT	CHARCOAL	SANDED
F3	LIVE EDGE WOOD	ACACIA	POLISHED
F4	PLYWOOD	RED OAK	STAINED
F5	STAIN	SPECIAL WALNUT	NATURAL STAIN - SEMI TRANSPARENT
F6	PVC DROP IN CEILING TILES	BLACK	POLISHED
F7	REGAL SELECT WATERBORNE PAINT	OCTOBER MIST	EGGSGHELL
F8	REGAL SELECT WATERBORNE PAINT	ENCHANTED FOREST (700)	EGGSHELL
F9	VINYL PEEL AND STICK WALLPAPER	KRISHIKA	MATTE
F10	POPLAR BASEBOARDS	WHITE	PRIMED
F11	REGAL SELECT WATERBORNE PAINT	ONYX (2133-10)	EGGSHELL
F12	CABINET PULL - SMALL	N/A	BRASS
F13	CABINET PULL - MEDIUM	N/A	BRASS
F14	CABINET PULL - XL	N/A	BRASS

EQUIPMENT SCHEDULE

CODE	DESCRIPTION
E1	SMART TOUCHLESS FAUCET
E4	ANCONA WALL HARDWIRE ELECTRIC TOWEL WARMER AND DRYING RACK
E7	GFCI DUPLEX OUTLET
E8	GFCI QUADRUPLEX OUTLET
E11	JUNCTION BOX
E14	WALL SCONCE
E15	LED LIGHT STRIPS

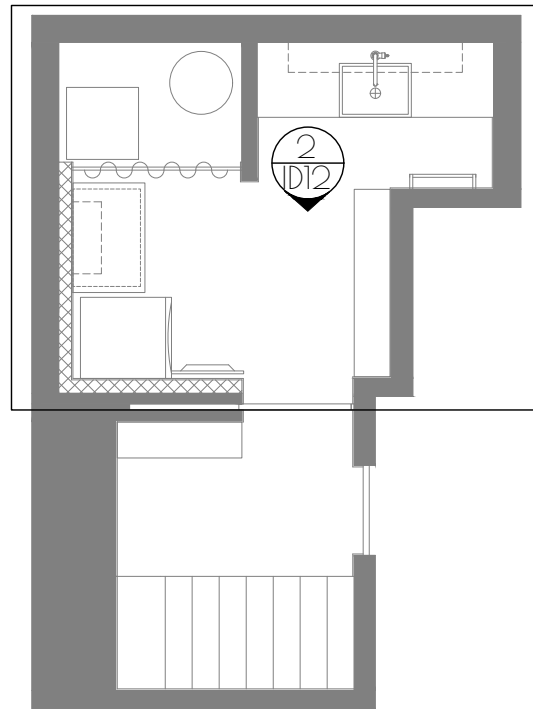


1 KEY PLAN
 ID11 SCALE: $\frac{3}{16}'' = 1'0''$

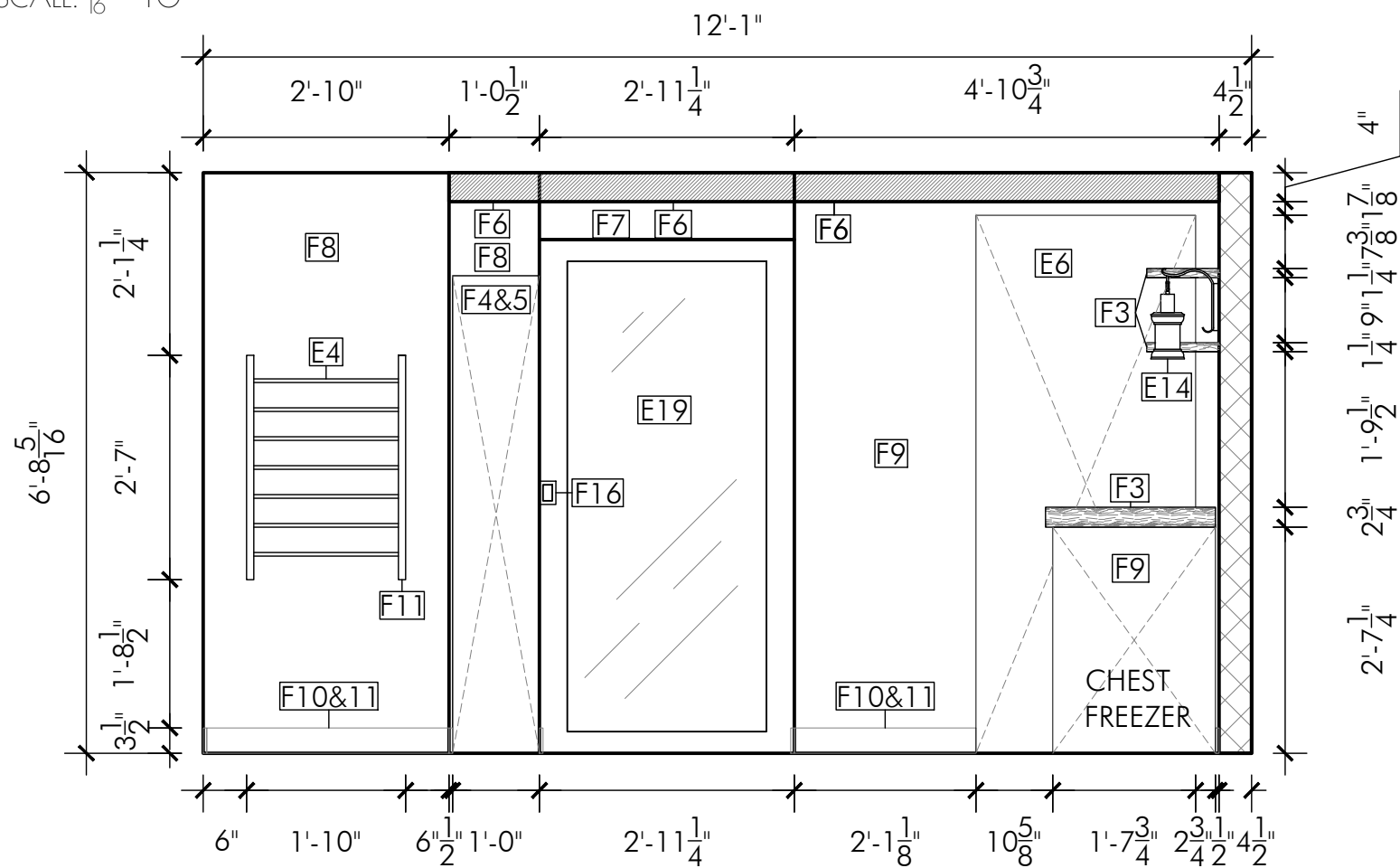


2 SOUTH ELEVATION
 ID11 SCALE: $\frac{1}{2}'' = 1'0''$





1 KEY PLAN
ID12 SCALE: $\frac{3}{16}'' = 1'0''$



2 WEST ELEVATION
ID12 SCALE: $\frac{1}{2}'' = 1'0''$

FINISHES SCHEDULE			
CODE	MATERIAL	COLOUR	FINISH
F3	LIVE EDGE WOOD	ACACIA	POLISHED
F4	PLYWOOD	RED OAK	STAINED
F5	STAIN	SPECIAL WALNUT	NATURAL STAIN - SEMI TRANSPARENT
F6	PVC DROP IN CEILING TILES	BLACK	POLISHED
F7	REGAL SELECT WATERBORNE PAINT	OCTOBER MIST	EGGSGHELL
F8	REGAL SELECT WATERBORNE PAINT	ENCHANTED FOREST (700)	EGGSHELL
F9	VINYL PEEL AND STICK WALLPAPER	KRISHIKA	MATTE
F10	POPLAR BASEBOARDS	WHITE	PRIMED
F11	REGAL SELECT WATERBORNE PAINT	ONYX (2133-10)	EGGSHELL
F16	ONWARD POCKET DOOR WITH PRIVACY LOCK	BLACK	POWDER COATED

EQUIPMENT SCHEDULE	
CODE	DESCRIPTION
E4	ANCONA WALL HARDWIRE ELECTRIC TOWEL WARMER AND DRYING RACK
E6	STACKED WASHER/DRYER
E11	JUNCTION BOX
E14	WALL SCONCE
E19	POCKET DOOR

Stephanie Raphael

Kitchener, ON
(514) 239 - 2697
stephii.raaphael@gmail.com
stephraphael.com

Additional Notes:

Stage: Concept Design

Client: Heather

Project: Laundry Room
Waterloo

Drawing: West Elevation

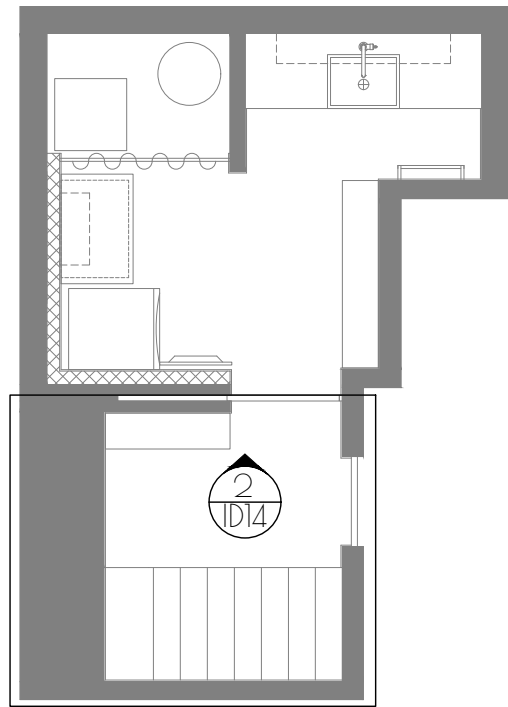
Revision: 0

Drawn By: Stephanie Raphael

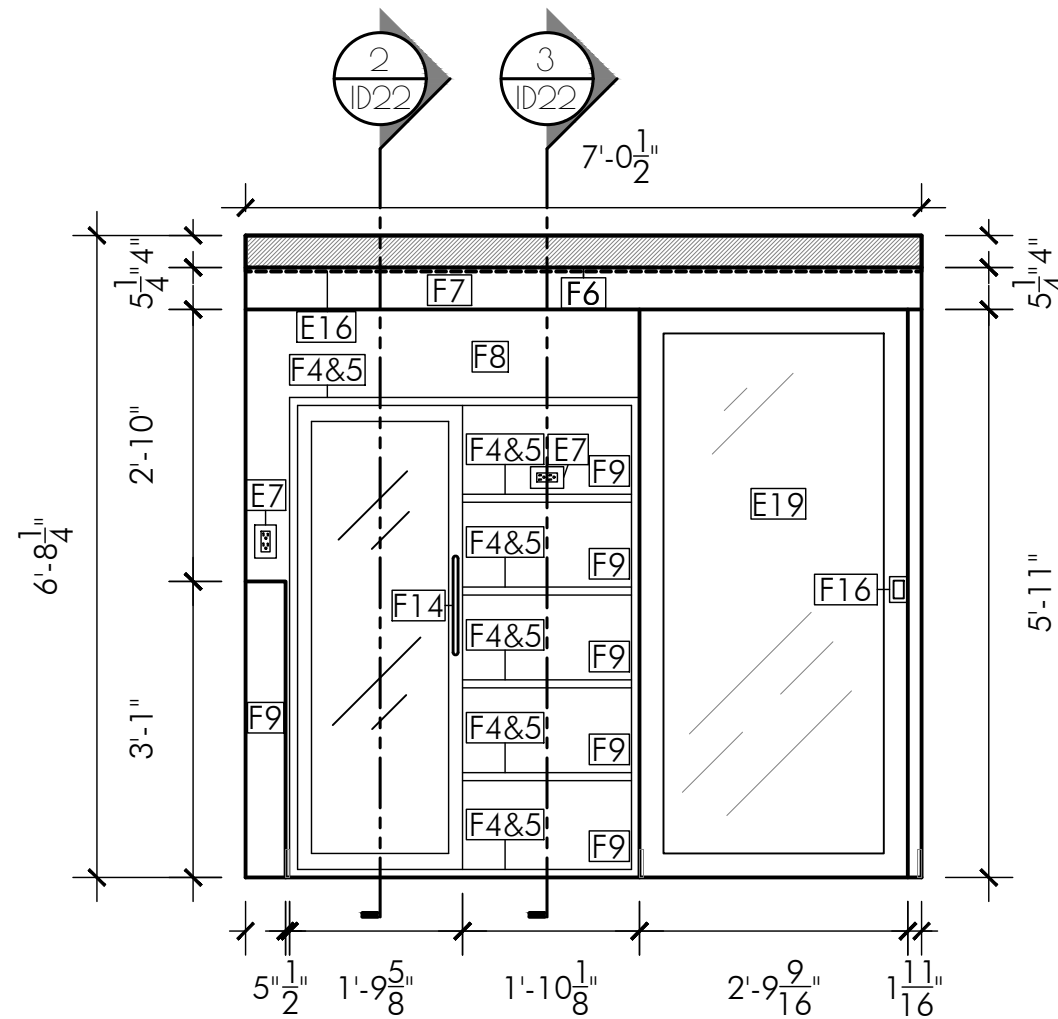
Date: May 15, 2023

Scale: AS NOTED





1 KEY PLAN
ID14 SCALE: $\frac{3}{16}'' = 1'0''$



2 FOYER - EAST ELEVATION
ID14 SCALE: $\frac{1}{2}'' = 1'0''$

FINISHES SCHEDULE			
CODE	MATERIAL	COLOUR	FINISH
F4	PLYWOOD	RED OAK	STAINED
F5	STAIN	SPECIAL WALNUT	NATURAL STAIN - SEMI TRANSPARENT
F6	PVC DROP IN CEILING TILES	BLACK	POLISHED
F7	REGAL SELECT WATERBORNE PAINT	OCTOBER MIST	EGGSGHELL
F8	REGAL SELECT WATERBORNE PAINT	ENCHANTED FOREST (700)	EGGSHELL
F9	VINYL PEEL AND STICK WALLPAPER	KRISHIKA	MATTE
F14	CABINET PULL - XL	N/A	BRASS
F16	ONWARD POCKET DOOR WITH PRIVACY LOCK	BLACK	POWDER COATED

EQUIPMENT SCHEDULE	
CODE	DESCRIPTION
E7	GFCI DUPLEX OUTLET
E16	LED LIGHT STRIPS
E19	POCKET DOOR

Stephanie
Raphael

Kitchener, ON
(514) 239 - 2697
stephii.raaphael@gmail.com
stephraphael.com

Additional Notes:

Stage: Concept Design
Client: Heather

Project: Laundry Room
Waterloo

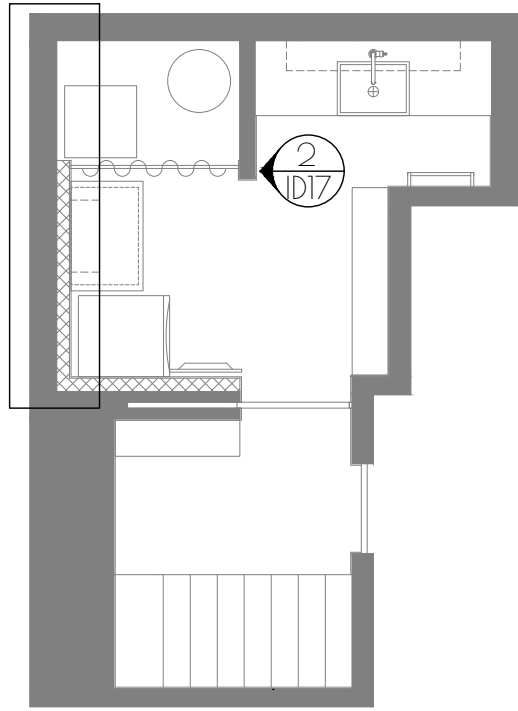
Drawing: Foyer East Elevation

Revision: 0

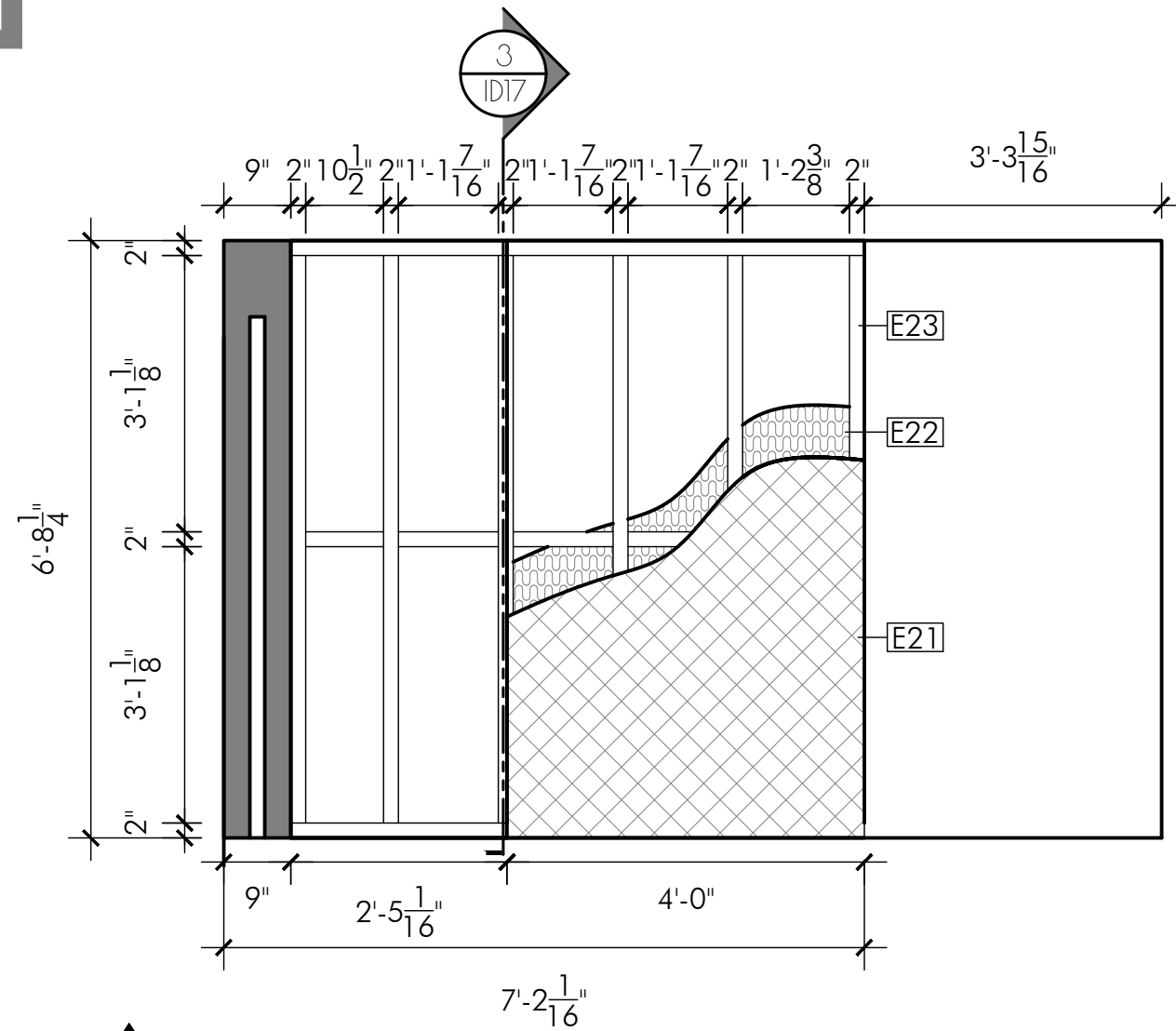
Drawn By: Stephanie Raphael

Date: May 15, 2023

Scale: AS NOTED



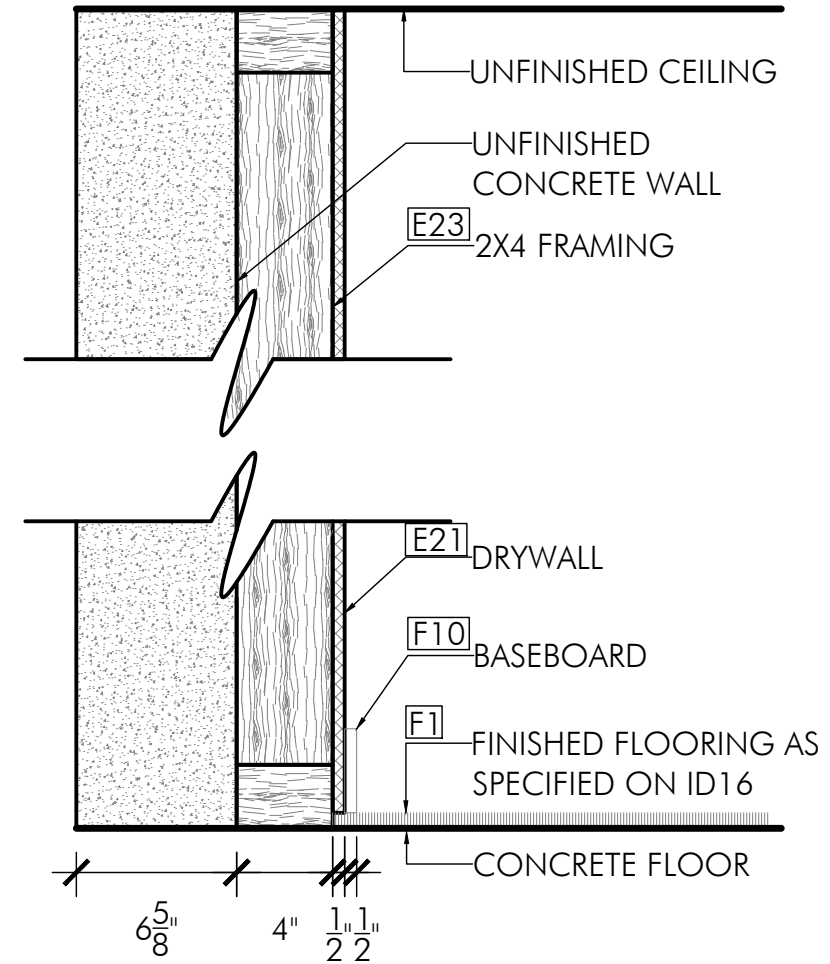
1 KEY PLAN
ID17 SCALE: $\frac{3}{16}$ " = 1'0"



2 DRYWALL NORTH ELEVATION
ID17 SCALE: $\frac{1}{2}$ " = 1'0"

FINISHES SCHEDULE			
CODE	MATERIAL	COLOUR	FINISH
F1	CERAMIC	NERO	LOW SHEEN GLAZE
F10	POPLAR BASEBOARDS	WHITE	PRIMED

EQUIPMENT SCHEDULE	
CODE	DESCRIPTION
E21	ULTRALIGHT MOLD TOUGH DRYWALL PANEL
E22	INSULATION BOARD
E23	2" x 4" LUMBER



3 DRYWALL SECTION
ID17 SCALE: 1 $\frac{1}{2}$ " = 1'0"

Stephanie
Raphael

Kitchener, ON
(514) 239 - 2697
stephii.raaphael@gmail.com
stephraphael.com

Additional Notes:

Stage: Concept Design
Client: Heather

Project: Laundry Room
Waterloo

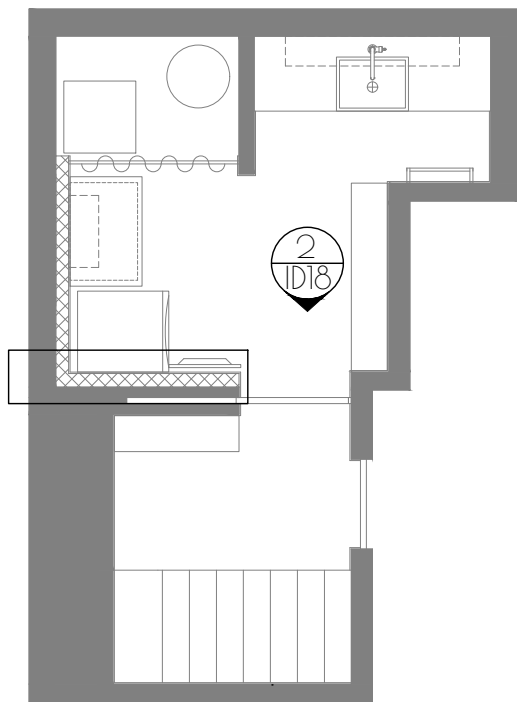
Drawing: Drywall N.Elev.&Sect
Revision: 0

Drawn By: Stephanie Raphael

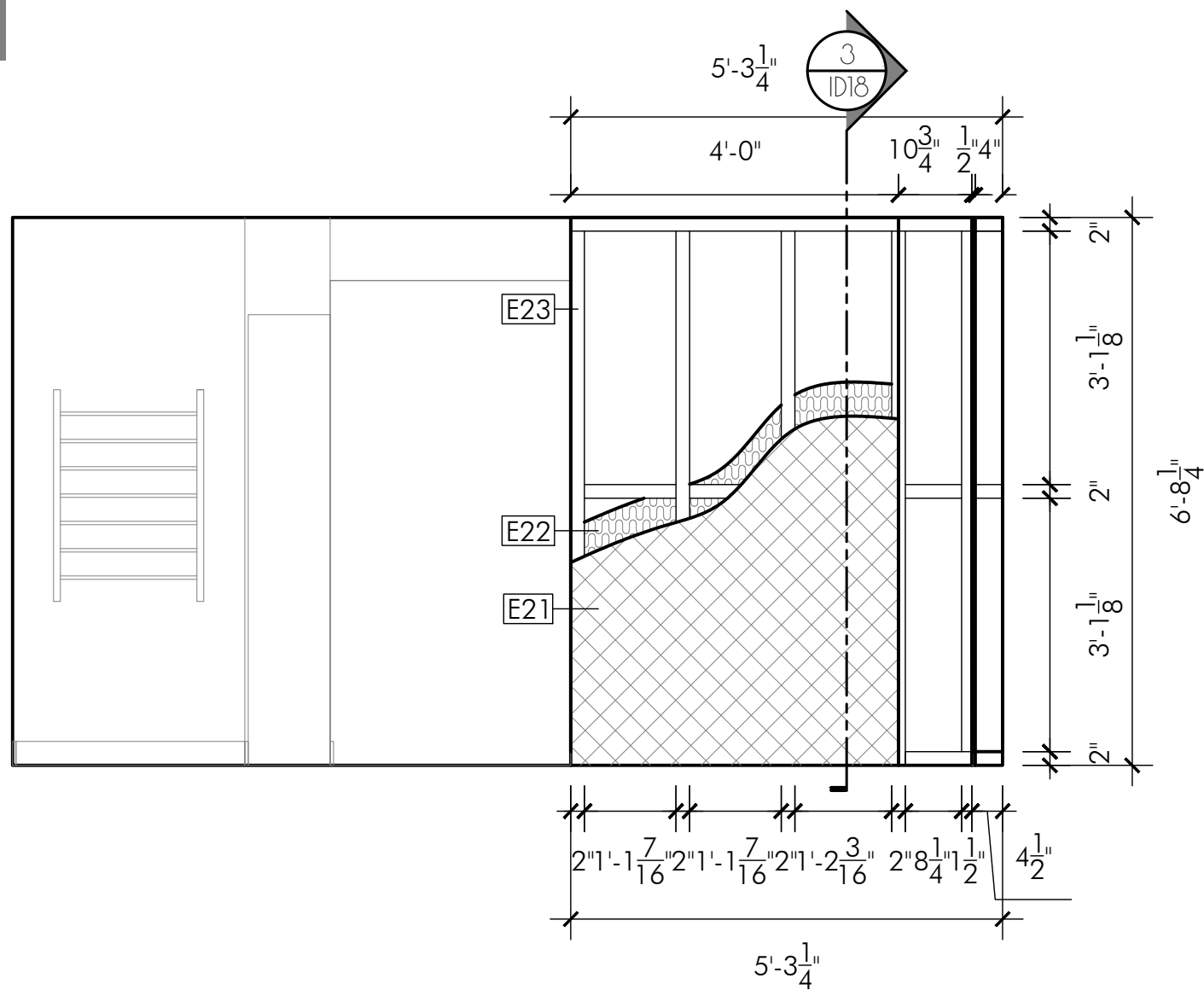
Date: May 15, 2023

Scale: AS NOTED

Sheet:
ID17
of 32



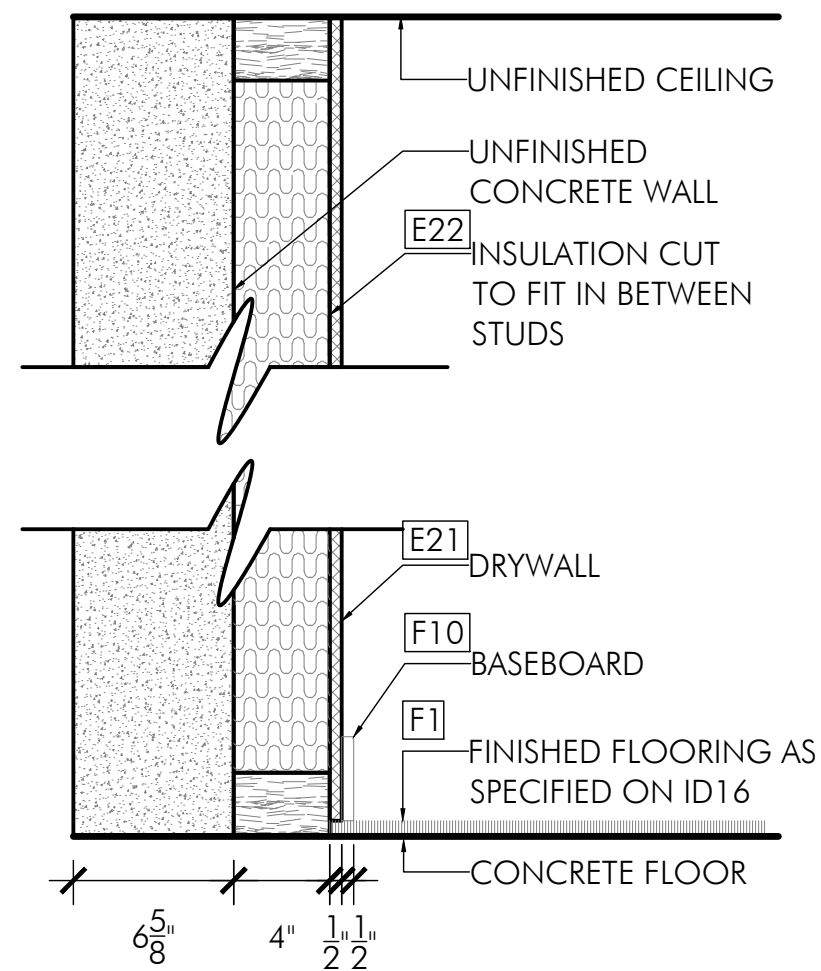
1 KEY PLAN
ID18 SCALE: $\frac{3}{16}'' = 1'0''$



2 DRYWALL WEST ELEVATION
ID18 SCALE: $\frac{1}{2}'' = 1'0''$

FINISHES SCHEDULE			
CODE	MATERIAL	COLOUR	FINISH
F1	CERAMIC	NERO	LOW SHEEN GLAZE
F10	POPLAR BASEBOARDS	WHITE	PRIMED

EQUIPMENT SCHEDULE	
CODE	DESCRIPTION
E21	ULTRALIGHT MOLD TOUGH DRYWALL PANEL
E22	INSULATION BOARD
E23	2" x 4" LUMBER



3 DRYWALL INSULATION SECTION
ID18 SCALE: $1 \frac{1}{2}'' = 1'0''$

Stephanie
Raphael

Kitchener, ON
(514) 239 - 2697
stephii.raaphael@gmail.com
stephraphael.com

Additional Notes:

Stage: Concept Design
Client: Heather

Project: Laundry Room
Waterloo

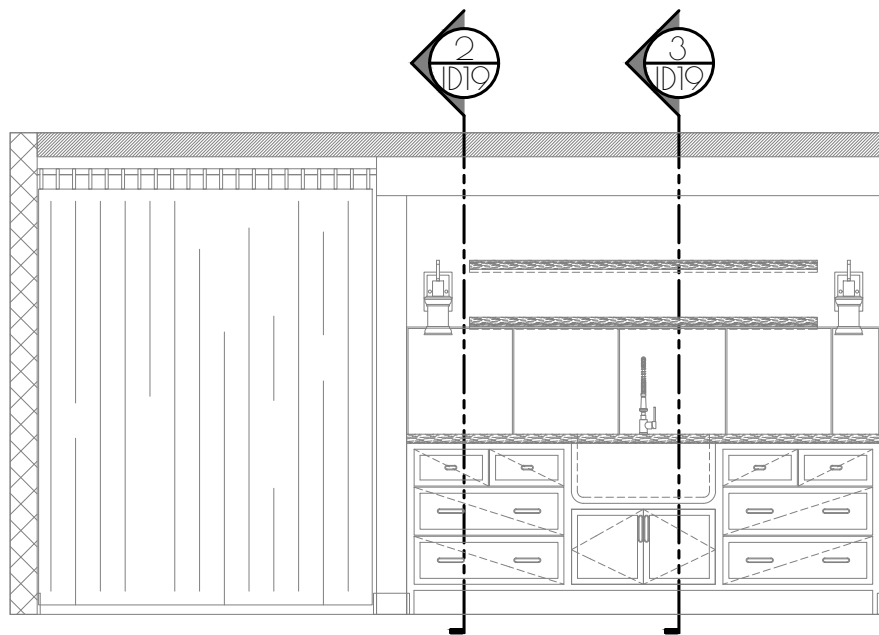
Drawing: Drywall W.Elev.&Sect
Revision: 0

Drawn By: Stephanie Raphael

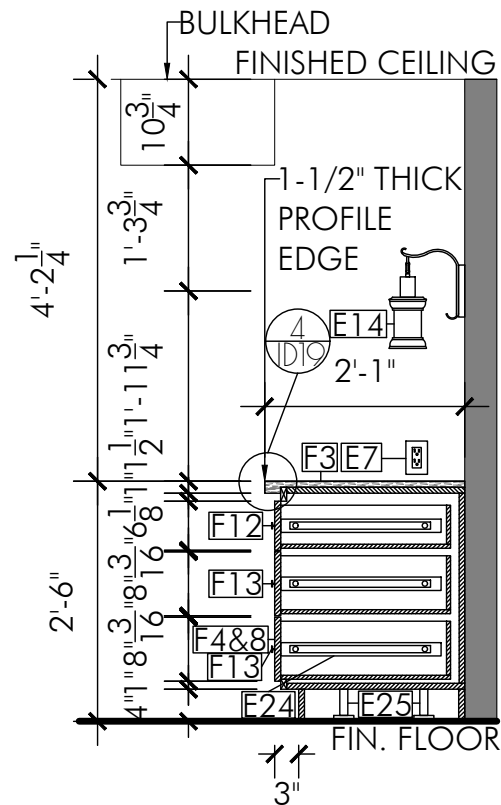
Date: May 15, 2023

Scale: AS NOTED

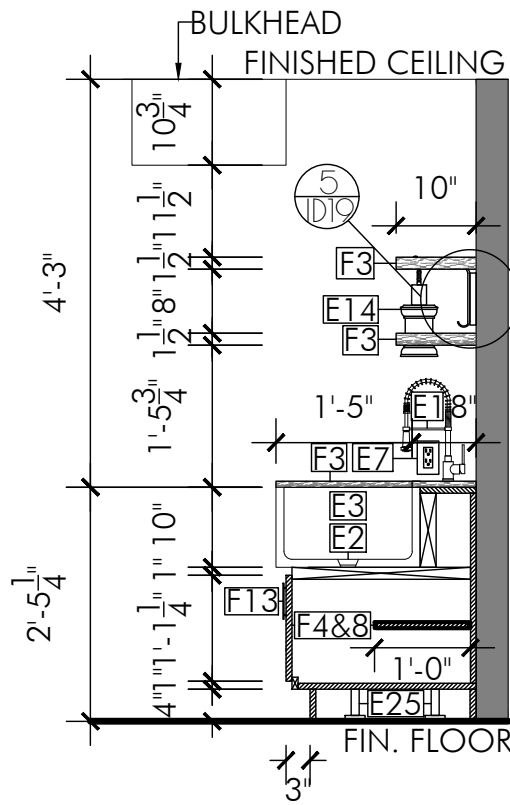
Sheet:
ID18
of 32



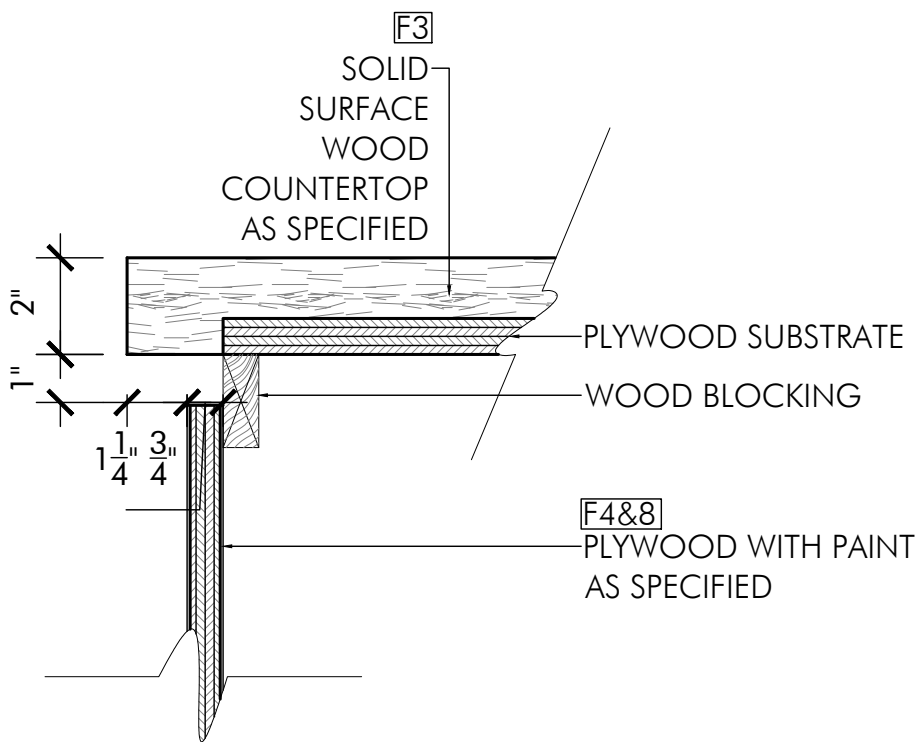
1 KEY ELEVATION
ID19 SCALE: $\frac{3}{8}'' = 1'0''$



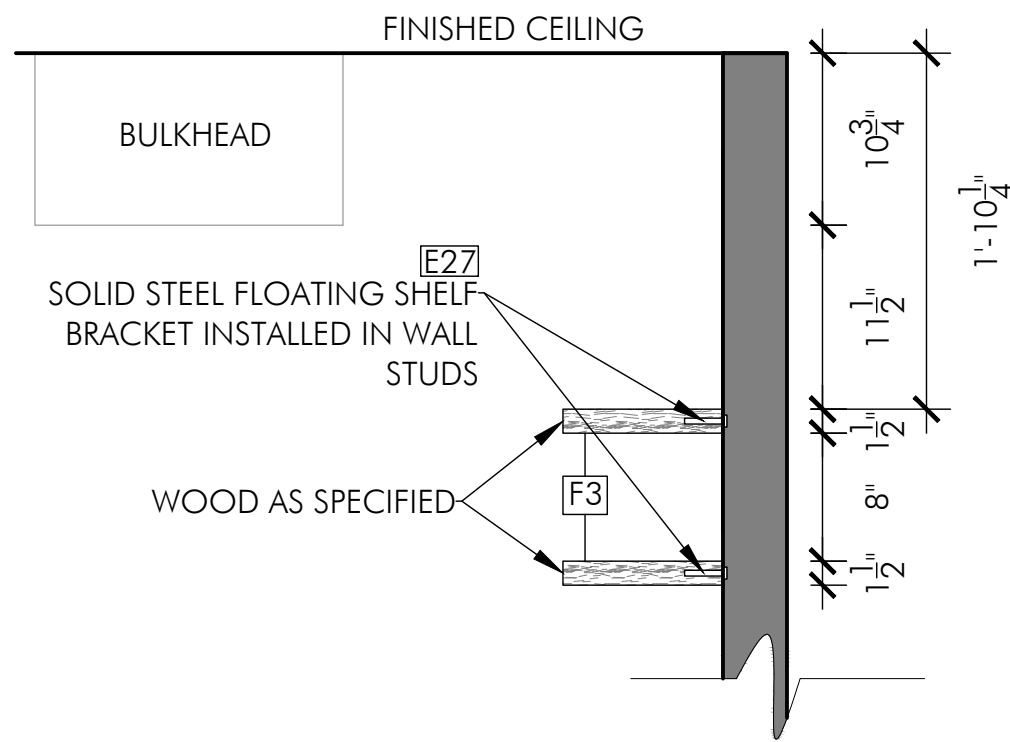
2 VANITY SECTION 1
ID19 SCALE: $\frac{1}{2}'' = 1'0''$



3 VANITY SECTION 2
ID19 SCALE: $\frac{1}{2}'' = 1'0''$



4 EDGE DETAIL
ID19 SCALE: $3'' = 1'0''$



5 FLOATING SHELVES DETAIL
ID19 SCALE: $1'' = 1'0''$

FINISHES SCHEDULE			
CODE	MATERIAL	COLOUR	FINISH
F3	LIVE EDGE WOOD	ACACIA	POLISHED
F4	PLYWOOD	RED OAK	STAINED
F8	REGAL SELECT WATERBORNE PAINT	ENCHANTED FOREST (700)	EGGSHELL
F12	CABINET PULL - SMALL	N/A	BRASS
F13	CABINET PULL - MEDIUM	N/A	BRASS

EQUIPMENT SCHEDULE	
CODE	DESCRIPTION
E1	SMART TOUCHLESS FAUCET
E2	SINK DRAIN
E3	FARMHOUSE SINK
E5	UMBRA CAPPA CURTAIN ROD AND MOUNT
E7	GFCI DUPLEX OUTLET
E14	WALL SCONCE
E24	FULL EXTENSION UNDERMOUNT SOFT CLOSE DRAWER SLIDES
E25	CABINET LEVELER
E27	FLOATING SHELF BRACKET

Stephanie Raphael

Kitchener, ON
(514) 239 - 2697
stephii.raphael@gmail.com
stephraphael.com

Additional Notes:

Stage: Concept Design

Client: Heather

Project: Laundry Room
Waterloo

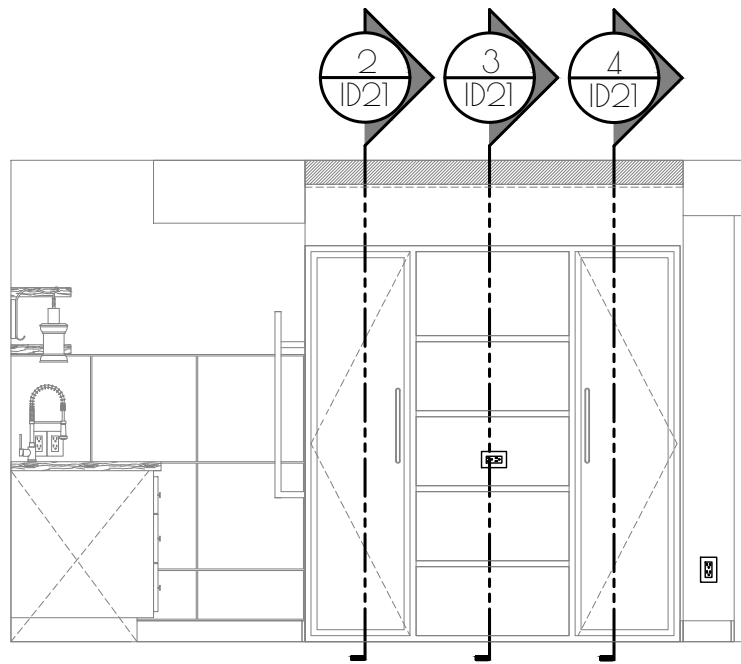
Drawing: Vanity Sect. & Det.

Revision: 0

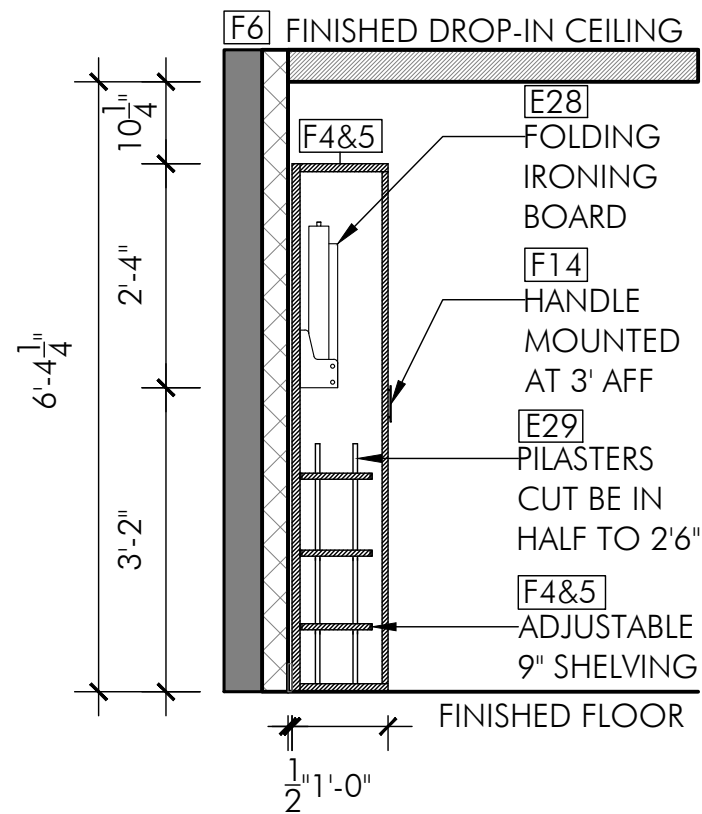
Drawn By: Stephanie Raphael

Date: May 15, 2023

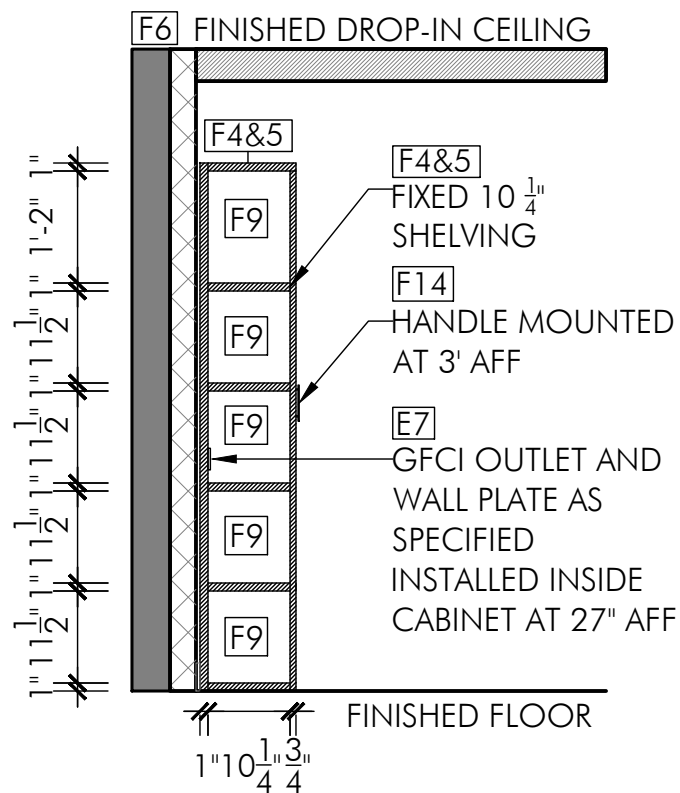
Scale: AS NOTED



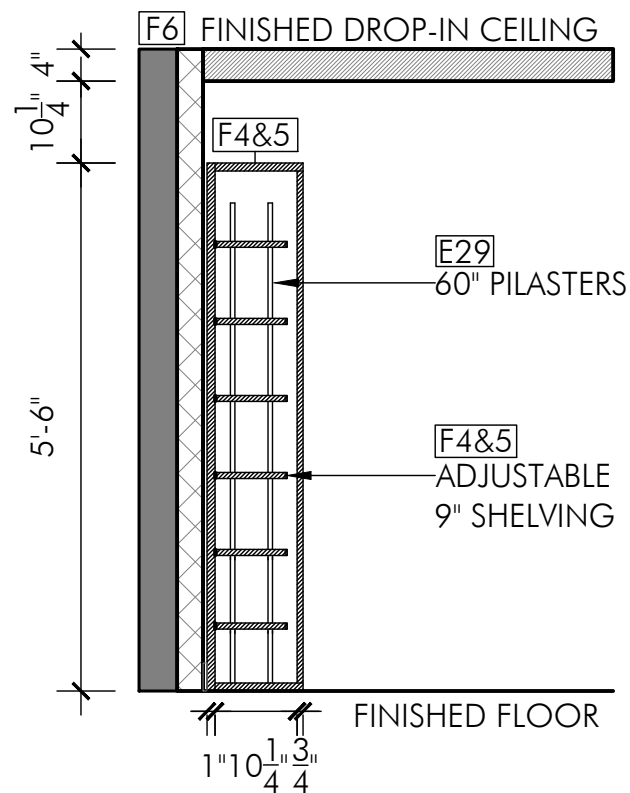
1 KEY ELEVATION
ID21 SCALE: $\frac{3}{8}'' = 1'0''$



2 LAUNDRY ROOM CABINET SECTION
ID21 SCALE: $\frac{1}{2}'' = 1'0''$



3 LAUNDRY ROOM CABINET SECTION
ID21 SCALE: $\frac{1}{2}'' = 1'0''$



4 LAUNDRY ROOM CABINET SECTION
ID21 SCALE: $\frac{1}{2}'' = 1'0''$

FINISHES SCHEDULE			
CODE	MATERIAL	COLOUR	FINISH
F4	PLYWOOD	RED OAK	STAINED
F5	STAIN	SPECIAL WALNUT	NATURAL STAIN - SEMI TRANSPARENT
F6	PVC DROP IN CEILING TILES	BLACK	POLISHED
F9	VINYL PEEL AND STICK WALLPAPER	KRISHIKA	MATTE
F14	CABINET PULL - XL	N/A	BRASS

EQUIPMENT SCHEDULE	
CODE	DESCRIPTION
E7	GFCI DUPLEX OUTLET
E28	WALL MOUNTED IRONING BOARD
E29	PILASTER STRIPS AND CLIPS

Stephanie
Raphael

Kitchener, ON
(514) 239 - 2697
stephii.raaphael@gmail.com
stephraphael.com

Additional Notes:


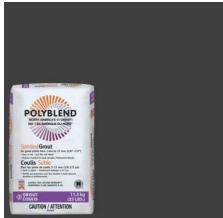




Stage: Concept Design
Client: Heather

Project: Laundry Room
Waterloo

Drawing: L.R. Cabinet Sections
Revision: 0

Drawn By: Stephanie Raphael
Date: May 15, 2023

Scale: 1/2" = 1'

FINISHES SCHEDULE										
CODE	IMAGE	MANUFACTURER	MATERIAL	COLOUR	FINISH	QUANTITY	SIZE	PRICE	HYPERLINK	INSTALLATION PDF
F1		HOME DEPOT: MEROLA TILE	CERAMIC	NERO	LOW SHEEN GLAZE	165 SQ.FT.	17 ⁵ / ₈ " X 17 ⁵ / ₈ "	\$18.20/SQ.FT. - \$3003 TOTAL	https://www.homedepot.ca/product/merola-tile-kings-star-nero-17-5-8-inch-x-17-5-8-inch-ceramic-floor-and-wall-tile-11-02-sq-ft-case-/1001111109	https://images.homedepot.ca/pdf/MEROLATILE_INSTALLATIONGUIDE_28COMBINED%29-pdf.pdf
F2		HOME DEPOT: CUSTOM BUILDING PRODUCTS	POLYBLEND GROUT	CHARCOAL	SANDED	1	25LB	\$39.98/EACH	https://www.homedepot.ca/product/custom-building-products-polyblend-60-charcoal-25-lb-sanded-grout/1000173914?rrec=true	N/A
F3		HOME DEPOT: BELANGER LAMINATES	LIVE EDGED WOOD	ACACIA	SANDED AND POLISHED	COUNTERTOP: 1 X 96" SHELVING AND FRIDGETOP: 2 X 72"	96" X 25.5" X 1.5" 72" X 25.5" X 1.5"	LARGE: \$540 SMALL: \$377 TOTAL: \$1294	LARGE: https://www.homedepot.ca/product/belanger-laminates-inc-96-inch-x-25-5-inch-x-1-5-inch-acacia-live-edge-wood-kitchen-countertop/1001607096 SMALL: https://www.homedepot.ca/product/belanger-laminates-inc-72-inch-x-25-5-inch-x-1-5-inch-acacia-live-edge-kitchen-countertop/1001607095	N/A
F4		HOME DEPOT: PUREBOND	PLYWOOD	RED OAK	STAINED	FOYER STORAGE: ~66 SQ.FT. LAUNDRY ROOM STORAGE: ~96 SQ.FT. VANITY: ~79 SQ.FT. TOTAL: ~241 SQ.FT. OR 8 SHEETS	³ / ₄ " x 4' x 8' or 32 sq.ft.	\$114/SHEET TOTAL: \$912	https://www.homedepot.ca/product/purebond-3-4-inch-x-4-feet-x-8-feet-purebond-red-oak/1000426026	N/A
F5A		HOME DEPOT: VARATHANE CLASSIC	OIL BASED PRE-STAIN WOOD CONDITIONER	N/A	N/A	2	946ML	\$30.22/CAN TOTAL: \$60.44	https://www.homedepot.ca/product/varathane-oil-based-pre-stain-wood-conditioner-for-interior-946-ml/1000130782?rrec=true	N/A
F5B		HOME DEPOT: VARATHANE CLASSIC	OIL BASED STAIN	SPECIAL WALNUT	NATURAL STAIN - SEMI TRANSPARENT	2	946ML OR 150 SQ.FT.	\$21.95/CAN TOTAL: \$43.90	https://www.homedepot.ca/product/varathane-classic-penetrating-oil-based-wood-stain-in-special-walnut-946-ml/1001134372	N/A

Stephanie
Raphael

Kitchener, ON
(514) 239 - 2697
stephii.raaphael@gmail.com
stephraphael.com

Additional Notes:

Stage: Concept Design

Client: Heather

Project: Laundry Room
Waterloo

Drawing: Finishes Schedule

Revision: 0






Drawn By: Stephanie Raphael

Date: May 15, 2023

Scale: N/A

Sheet:
ID23
of 32

EQUIPMENT SCHEDULE

CODE	IMAGE	ITEM	MANUFACTURER	COLOUR	MATERIAL	QUANTITY	SIZE	PRICE	HYPERLINK	INSTALLATION PDF
E1		SMART TOUCHLESS FAUCET	HOME DEPOT: MOEN WAYMOUTH	BRUSHED GOLD	N/A	1	8.97" X 16.73" X 5.5"	\$1059	https://www.homedepot.ca/product/moen-weymouth-pull-down-smart-touchless-kitchen-faucet-in-brushed-gold/1001559159	https://images.homedepot.ca/pdf/ins10915a-pdf.pdf
E2		SINK DRAIN	HOME DEPOT: SINKOLOGY	N/A	STAINLESS STEEL	1	3 1/2"	\$49.85	https://www.homedepot.ca/product/sinkology-kitchen-sink-strainer-drain-with-post-style-basket-in-stainless-steel/1001180672	N/A
E3		FARMHOUSE SINK	HOME DEPOT: SINKOLOGY WILCOX II	WHITE	FIRECLAY	1	24" X 18" X 10"	\$597	https://www.homedepot.ca/product/sinkology-wilcox-ii-farmhouse-apron-front-fireclay-24-inch-single-bowl-kitchen-sink-in-crisp-white/1001339900?rec=true	https://images.homedepot.ca/pdf/1001339900_Installation%20Guide-pdf.pdf
E4		COMFORT 7 WALL HARDWIRE ELECTRIC TOWEL WARMER AND DRYING RACK	HOME DEPOT: ANCONA	STAINLESS STEEL	STAINLESS STEEL	1	21.6" X 4.7" X 31.5"	\$359	https://www.homedepot.ca/product/ancona-comfort-7-wall-hardwire-electric-towel-warmer-and-drying-rack-in-brushed-stainless-steel/1001157945	https://images.homedepot.ca/pdf/Ancona+7++Brush+and+chrome++Hard+Wire+final+MAA+N5327-04-pdf.pdf
E5		UMBRA CAPPА CURTAIN ROD AND MOUNT	HOME DEPOT	BRASS	STAINLESS STEEL	1	1" X 36"-66"	\$33	https://www.homedepot.ca/product/umbra-cappa-1-rod-36-66-brass/1001413338	N/A
E6		STACKED WASHER DRYER	BEST BUY: LG	BLACK	STEEL	1	27" X 74 3/8"	\$2599	https://www.bestbuy.ca/en-ca/product/lg-washtower-5-2-cu-ft-high-efficiency-steam-washer-dryer-laundry-centre-wkex200hba-black-steel/15201009	https://www.lg.com/ca_en/support/manuals?csSalesCode=WKEX200HBA.ABLEECI
E7		GFCI DUPLEX OUTLET	HOME DEPOT: LEVITON DECORA	WHITE	WITH WALL PLATE	6	4.21" X 1.69" X 1.32"	\$24.97/EACH TOTAL: \$149.82	https://www.homedepot.ca/product/leviton-decora-15-amp-tamper-resistant-slim-gfci-receptacle-outlet-with-wall-plate/1000660807	N/A
E8		GCI QUADRUPLEX OUTLET	HOME DEPOT: LEVITON	WHITE	N/A	1	1.79" X 4.56" X 4.56"	\$67.98	https://www.homedepot.ca/product/leviton-15a-125v-4in1-surge-protective-isolated-ground-quadruplex-receptacle-outlet-hospital-grade-in-white/1001792007	N/A

Stephanie
Raphael

Kitchener, ON
(514) 239 - 2697
stephii.raaphael@gmail.com
stephraphael.com

Additional Notes:

Stage: Concept Design
Client: Heather
Project: Laundry Room
Waterloo
Drawing: Equipment Schedule
Revision: 0
Drawn By: Stephanie Raphael
Date: May 15, 2023
Scale: N/A

Sheet:
ID27
of 32

